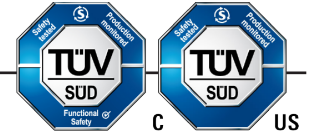


Operating Instructions: 1 N/O & 1 N/C Non Illuminating & Illuminating Switches



Core Elements

Description 1 Normally Open (N/O) & 1 Normally Closed (N/C) Switch for machine control. • Each switch uses 2 output pins. Range of options: • Pushbutton • Illuminated Pushbutton		Pushbuttons	TXB 	TXR 	TXG 	TXW 	TXY 	TXZ
		Illuminating	TX1 	TX2 	TX3 	TX6 	TX7 	
Laser Engraving Information Engraving for each button is 2 lines of 8 characters.								

Technical Specifications	
Housing Materials	Painted die cast aluminium
Colour	Dark Grey
Ingress Protection	IP65*
Mechanical Life	1,000,000 Operations
Electrical Life	1,000,000 Operations
Maximum Frequency of Ops	1 per second
Ambient Temperature	-25°C to 40°C (-13°F to 104°F)
Environment	Indoor use only
Switching Contact Element	2 output
Switching Current	1mA MIN / 100mA MAX
Switching Voltage	24V

*IP protection is to the tGard stack that this module attaches to, when correctly fitted according to installation and maintenance instructions.

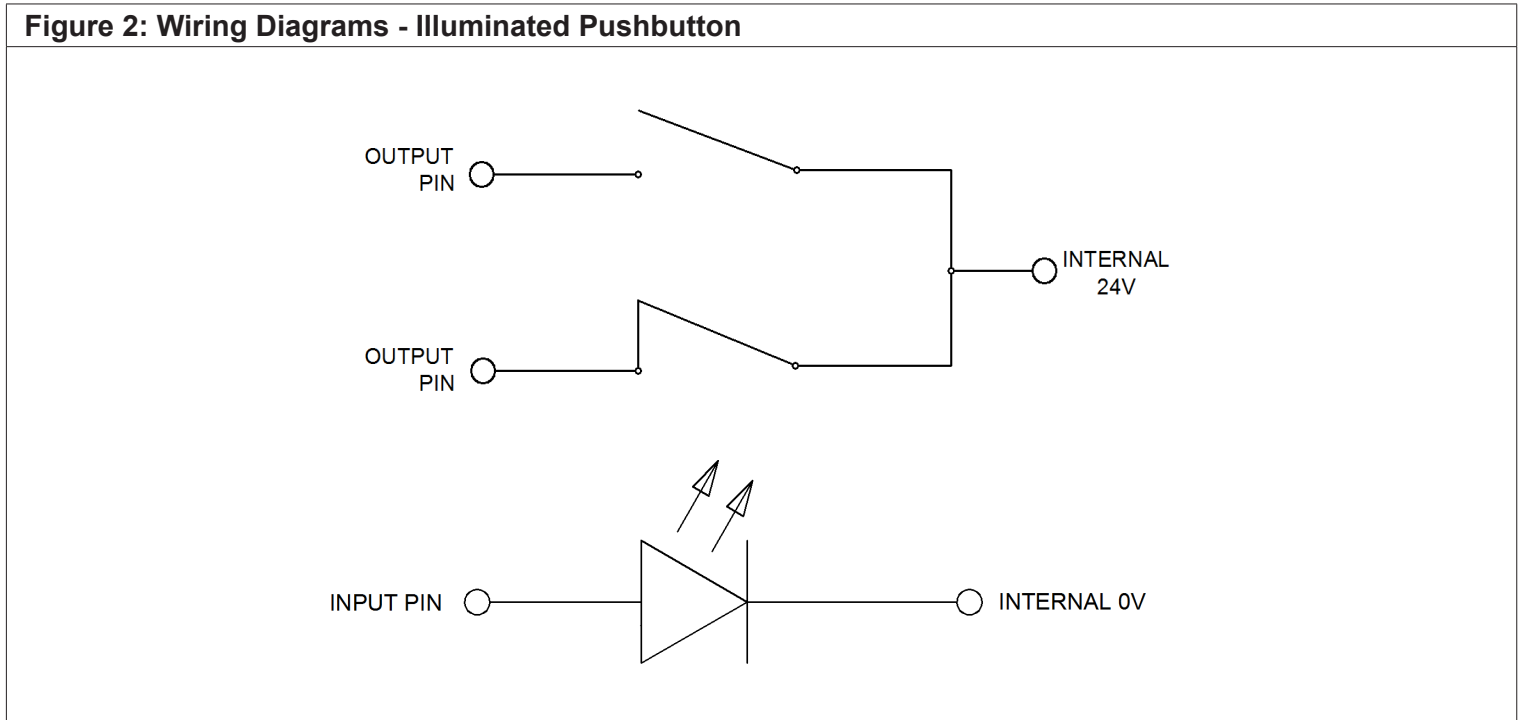
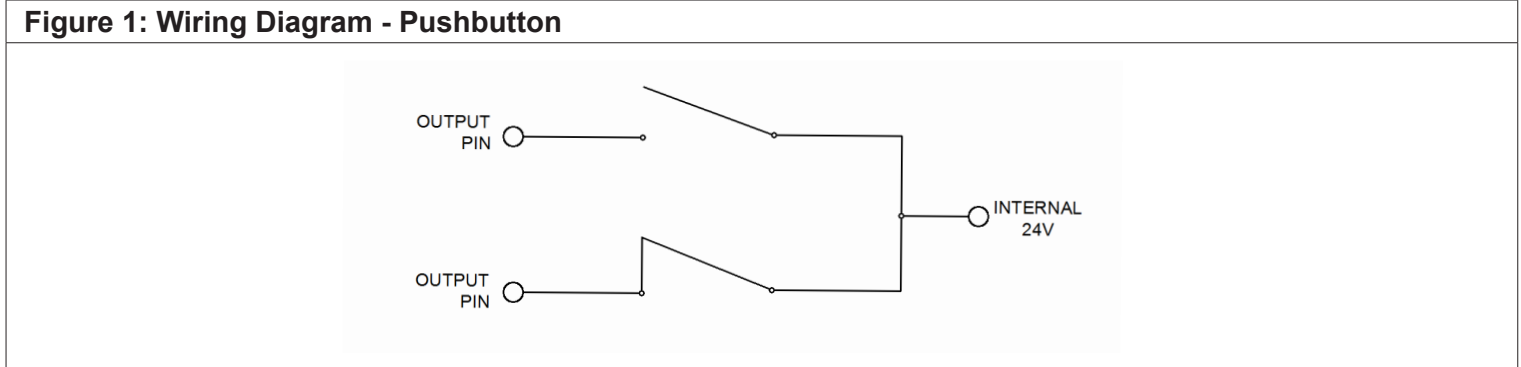
Safety Data	
Standards	EN60957-5-5 (Low-voltage switchgear and control gear).
Approvals	TÜV SÜD for Europe, Canada & USA.

Part Number Options	
Description	Part No.
Pushbutton - Black	TXB
Pushbutton - Red	TXR
Pushbutton - Green	TXG
Pushbutton - White	TXW
Pushbutton - Yellow	TXY
Pushbutton - Blue	TXZ
Illuminating Pushbutton - Red	TX1
Illuminating Pushbutton - Yellow	TX2
Illuminating Pushbutton - Green	TX3
Illuminating Pushbutton - Blue	TX6
Illuminating Pushbutton - White	TX7

Operating Instructions: 1 N/O & 1 N/C Non Illuminating & Illuminating Switches

tGard Pushbutton Electrical Guidance			
Inputs	Outputs	Module operates on the safety circuits	Order of pin assignment from base to head
0	2	No	-

tGard Illuminating Pushbutton Electrical Guidance			
Inputs	Outputs	Module operates on the safety circuits	Order of pin assignment from base to head
1	2	No	-



Operating Instructions: 1 N/O & 1 N/C Non Illuminating & Illuminating Switches

Figure 3: Dimensional Drawing - TXB, TXR, TXG, TXW, TXY, TXZ, TX1, TX2, TX3, TX6, TX7

