



SERIE 28

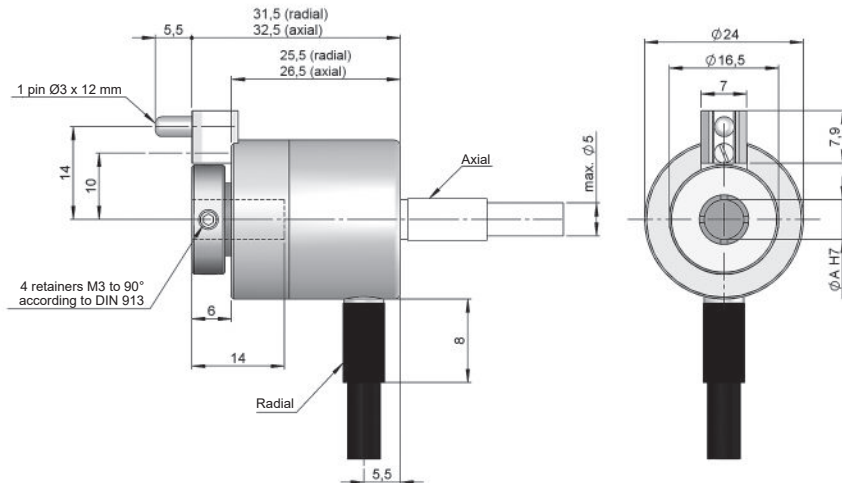
MINIATURE BLIND HOLLOW SHAFT INCREMENTAL ENCODER FOR INDUSTRIAL APPLICATIONS

- Resolution up to 4.096 pulses per turn
- External diameter 24 mm
- Blind hollow shaft \varnothing 4, 6 or 8 mm
- Protection class IP64 according to DIN EN 60529
- Shaft fixing through setscrew or clamp
- Anti-rotation system through flexible flange or pin torque support
- Connection by cable (other cable length available)



Option A:

Setscrew / Anti-rotation pin (93.0108204)

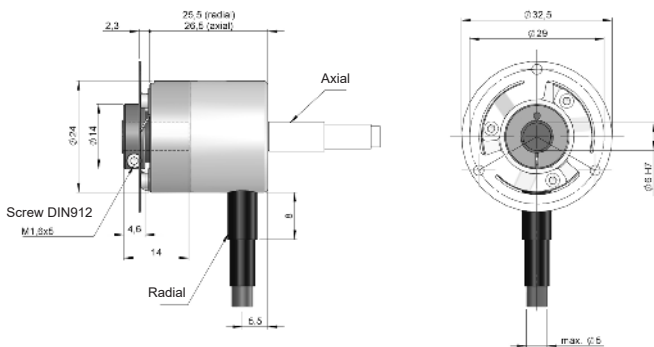


HOLLOW SHAFT	\varnothing A
1	4 mm
2	6 mm

Drawing blind hollow shaft mechanical option type 2 (Anti-rotation pin 93.0108204, pin included), connection type 1/2

Option B:

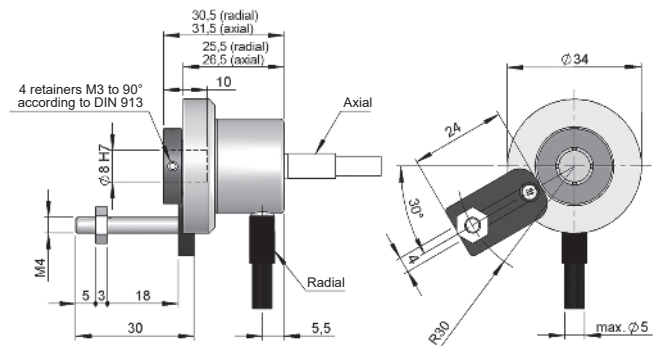
Clamp / Flexible flange (93.0102057)



Drawing blind hollow shaft mechanical option type 3, connection type 1/2

Option C:

Setscrew / Anti-rotation pin (93.0108201 + 93.0108202)



Drawing blind hollow shaft mechanical option type 4, connection type 1/2



SERIE 28

MINIATURE BLIND HOLLOW SHAFT INCREMENTAL ENCODER FOR INDUSTRIAL APPLICATIONS

REFERENCE							Reference example: 28-1721-500
Serie	Mechanical option	Output signals	Connection	Power Supply / Electronic output	Pulses number	Special customer	
28 -	<input type="checkbox"/>	<input type="checkbox"/>	<input type="checkbox"/>	<input type="checkbox"/> -	<input type="checkbox"/> <input type="checkbox"/> <input type="checkbox"/> <input type="checkbox"/> <input type="checkbox"/>	<input type="checkbox"/> <input type="checkbox"/> <input type="checkbox"/> <input type="checkbox"/> <input type="checkbox"/>	
	1. Option A - Ø 4 mm Setscrew Anti-rotation pin (93.0108204) 2. Option A - Ø 6 mm Setscrew Anti-rotation pin (93.0108204) 3. Option B - Ø 6 mm Clamp Flexible flange (93.0102057) 4. Option C - Ø 8 mm Setscrew Anti-rotation pin (93.0108201 + 93.0108202)	2. A+B 3. A+B+0 7. A \tilde{A} +B \tilde{B} +0 $\tilde{0}$ 8. A \tilde{A} +B \tilde{B}	1. Axial cable 2. Radial cable	0. 11...30 VDC / NPN Open collector 11...30 VDC 1. 11...30 VDC / Line driver differential Push-Pull 11...30 VDC 2. 5 VDC / RS422 5 VDC (compatible TTL)		WT00. -40°C Order your reference Step file 3D info@encoderhohner.com <i>service available in 24 h</i>	

(* Anti-rotation system type 1/2 (Anti-rotation pin 93.0108204), 3 (Flexible flange 93.0102057) and 4 (Anti-rotation pin 93.0108201 + 93.0108202) supplied assembled.

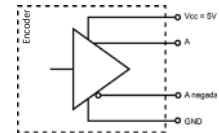
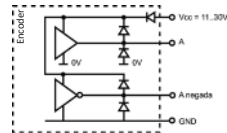
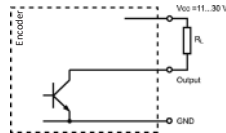
MECHANICAL SPECIFICATIONS

Materials	Cover: Aluminium Housing: Aluminium Shaft: Brass
Bearings	Ballraces
Bearings lifetime	1x10 ¹⁰ rev.
Housing fixing	Anti-rotation pin or flexible flange (included)
Permitted misalignment	±0,1 mm axial, ±0,3 mm radial (93.0108204) ±0,1 mm axial, ±0,1 mm radial (93.0102057) ±0,1 mm axial, ±0,3 mm radial (93.0108201 + 93.0108202)
Shaft fixing	Setscrew or Clamp
Blind hollow shaft diameter	4, 6 or 8 mm
Maximum number of revolutions permitted mechanically	6000 rpm
Protection against dust and splashes according to DIN EN 60529	IP64
Rotor inertia moment	5 gcm ²
Starting torque at 20°C (68°F)	≤ 0,01 Nm
Maximum load permitted on axial shaft	10 N
Maximum load permitted on radial shaft	10 N
Weight aprox.	0,06 Kg
Operating temperature range	-20°C to +80°C - Standard -40°C to +80°C - Special Customer WT00
Vibration according to DIN EN 60068-2-6	100 m/s ² (10Hz...2000Hz)
Shock according to DIN EN 60068-2-27	1000 m/s ² (6ms)
Maximum pulses per turn	4.096
Axial or radial connection	2 meters cable (other cable lengths available or connector mounted at the end of the cable, upon request)

SERIE 28

MINIATURE BLIND HOLLOW SHAFT INCREMENTAL ENCODER FOR INDUSTRIAL APPLICATIONS

OUTPUT SIGNALS



OUTPUT CIRCUIT	NPN Open Collector	Push-Pull Differential	RS422 (TTL compatible)
Reference code	0	1	2
Power supply	11...30 VDC	11...30 VDC	5 VDC ±5%
Output voltage	11...30 VDC	11...30 VDC	5 VDC
Consumption	40 mA	Typical: 45 mA Max: 150 mA	Typical: 70 mA Max: 150 mA
Max. load capability / channel	40 mA	±30 mA	±20 mA
Length of cable allowed	50 m (24 VDC)	100 m	1200 m
"Low" signal level	VOL < 0.4 VDC (24 VDC)	VOL < 2.5 VDC	VOL < 0.5 VDC
"High" signal level	VOH > 2.2 VDC (24 VDC)	VOH > VCC – 3 VDC	VOH > 2.5 VDC
Frequency	100 kHz	200 kHz	300 kHz
Short circuit protection	Not permanent	Yes	Yes
Protection polarity inversion	Yes	Yes	No

Channel A leads (90° electric) channel B, view from the shaft, shaft rotating clockwise

CONNECTION



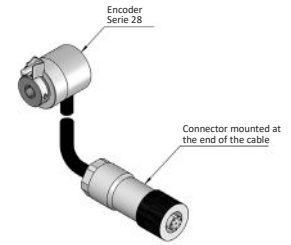
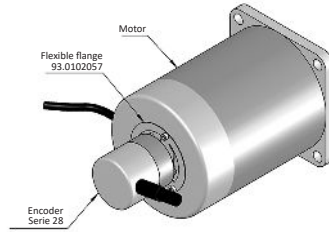
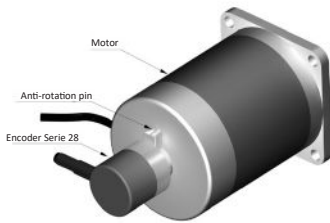
	Cable 5x0,14 95.0008051 (*)	Cable 8x0,14 95.0008052 (*)
GND	White	White
VCC	Brown	Brown
A	Green	Green
B	Yellow	Grey
~A		Yellow
~B		Pink
0 (reference)	Grey	Blue
~0	Grey	Red

(*) For lengths over 2 meters standard cable, we recommend the use of twisted pair cable 2x2x0,14+1x0,14 (95.0008002) or 3x2x0,14+2x0,34 (95.0008003). Request the final cable length required to avoid junctions.

SERIE 28

MINIATURE BLIND HOLLOW SHAFT INCREMENTAL ENCODER FOR INDUSTRIAL APPLICATIONS

ACCESSORIES EXAMPLES



All the accessories available in the section "MOUNTING ACCESSORIES".