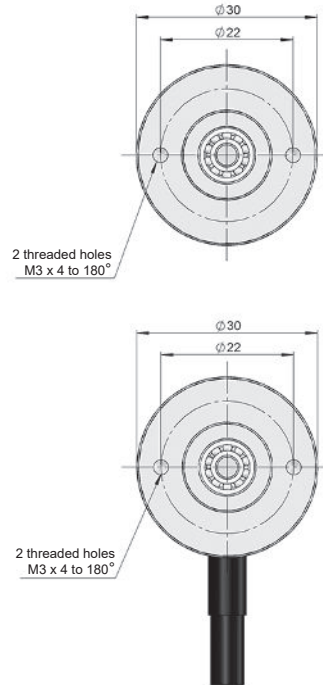
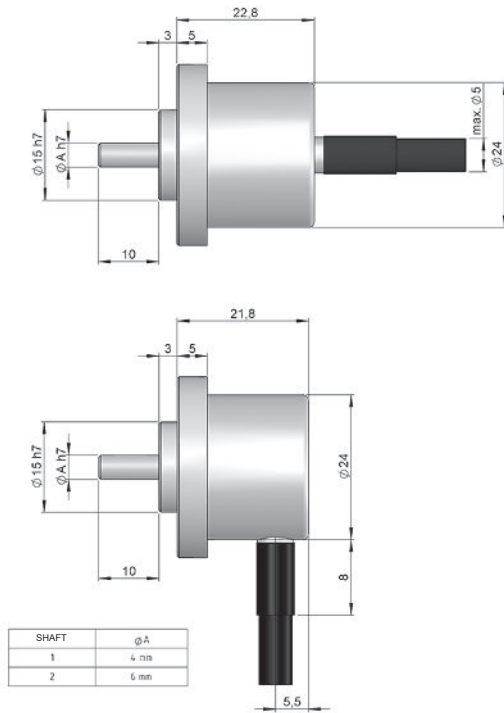




# SERIE 27

## MINIATURE SOLID SHAFT INCREMENTAL ENCODER FOR INDUSTRIAL APPLICATIONS

- Resolution up to 4.096 pulses per turn
- External diameter 24 mm, mounting flange 30 mm
- Shaft  $\varnothing$  4 or 6 mm
- Protection class IP64 according to DIN EN 60529
- Connection by cable (other cable length available)



Drawing shaft type 1, connection type 1/2

### REFERENCE

Reference example: 27-1721-500

Serie	Solid shaft	Output signals	Connection	Power Supply / Electronic output	Pulses number	Special customer
27 -	<input type="checkbox"/>	<input type="checkbox"/>	<input type="checkbox"/>	<input type="checkbox"/> -	<input type="checkbox"/> <input type="checkbox"/> <input type="checkbox"/> <input type="checkbox"/>	<input type="checkbox"/> <input type="checkbox"/> <input type="checkbox"/> <input type="checkbox"/>
	1. $\varnothing$ 4 mm 2. $\varnothing$ 6 mm	2. A+B 3. A+B+0 7. A $\tilde{\sim}$ +B $\tilde{\sim}$ +0 $\tilde{\sim}$ 8. A $\tilde{\sim}$ +B $\tilde{\sim}$	1. Axial cable 2. Radial cable	0. 11...30 VDC / NPN Open collector 11..30 VDC 1. 11..30 VDC / Line driver differential Push-Pull 11..30 VDC 2. 5 VDC / RS422 5 VDC (compatible TTL)		TT00. -40°C

Order your reference  
Step file 3D

info@encoderhohner.com  
service available in 24 h



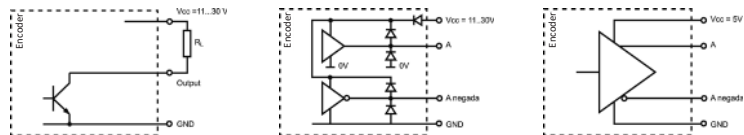
# SERIE 27

## MINIATURE SOLID SHAFT INCREMENTAL ENCODER FOR INDUSTRIAL APPLICATIONS

### MECHANICAL SPECIFICATIONS

Materials	Cover: Aluminium Housing: Aluminium Shaft: Stainless Steel
Bearings	Ballraces
Bearings lifetime	1x10 <sup>10</sup> rev.
Maximum number of revolutions permitted mechanically	6000 rpm
Protection against dust and splashes according to DIN EN 60529	IP64
Rotor inertia moment	2 gcm <sup>2</sup>
Starting torque at 20°C (68°F)	≤ 0,01 Nm
Maximum load permitted on axial shaft	20 N
Maximum load permitted on radial shaft	10 N
Weight aprox.	0,06 Kg
Operating temperature range	-20°C to +80°C - Standard -40°C to +80°C - Special Customer TT00
Vibration according to DIN EN 60068-2-6	100 m/s <sup>2</sup> (10Hz...2000Hz)
Shock according to DIN EN 60068-2-27	1000 m/s <sup>2</sup> (6ms)
Maximum pulses per turn	4.096
Axial or radial connection	2 meters cable (other cable lengths available or connector mounted at the end of the cable, upon request)

### OUTPUT SIGNALS



OUTPUT CIRCUIT	NPN Open Collector	Push-Pull Differential	RS422 (TTL compatible)
Reference code	0	1	2
Power supply	11...30 VDC	11...30 VDC	5 VDC ±5%
Output voltage	11...30 VDC	11...30 VDC	5 VDC
Consumption	40 mA	Typical: 45 mA Max: 150 mA	Typical: 70 mA Max: 150 mA
Max. load capability / channel	40 mA	±30 mA	±20 mA
Length of cable allowed	50 m (24 VDC)	100 m	1200 m
"Low" signal level	VOL < 0.4 VDC (24 VDC)	VOL < 2.5 VDC	VOL < 0.5 VDC
"High" signal level	VOH > 22 VDC (24 VDC)	VOH > VCC - 3 VDC	VOH > 2.5 VDC
Frequency	100 kHz	200 kHz	300 kHz
Short circuit protection	Not permanent	Yes	Yes
Protection polarity inversion	Yes	Yes	No

Channel A leads (90° electric) channel B, view from the shaft, shaft rotating clockwise

# SERIE 27

## MINIATURE SOLID SHAFT INCREMENTAL ENCODER FOR INDUSTRIAL APPLICATIONS

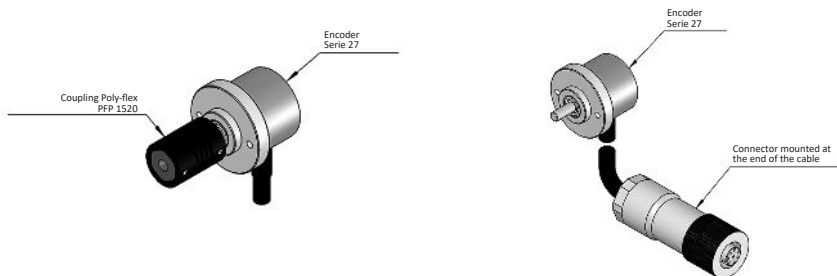
### CONNECTION



	Cable 5x0,14 95.0008051 (*)	Cable 8x0,14 95.0008052 (*)
GND	White	White
VCC	Brown	Brown
A	Green	Green
B	Yellow	Grey
$\tilde{A}$		Yellow
$\tilde{B}$		Pink
0 (reference)	Grey	Blue
$\tilde{0}$	Grey	Red

(\*) For lengths over 2 meters standard cable, we recommend the use of twisted pair cable 2x2x0,14+1x0,14 (95.0008002) or 3x2x0,14+2x0,34 (95.0008003). Request the final cable length required to avoid junctions.

### ACCESSORIES EXAMPLES



All the accessories available in the section "MOUNTING ACCESSORIES".