



SERIE CS10/CM10

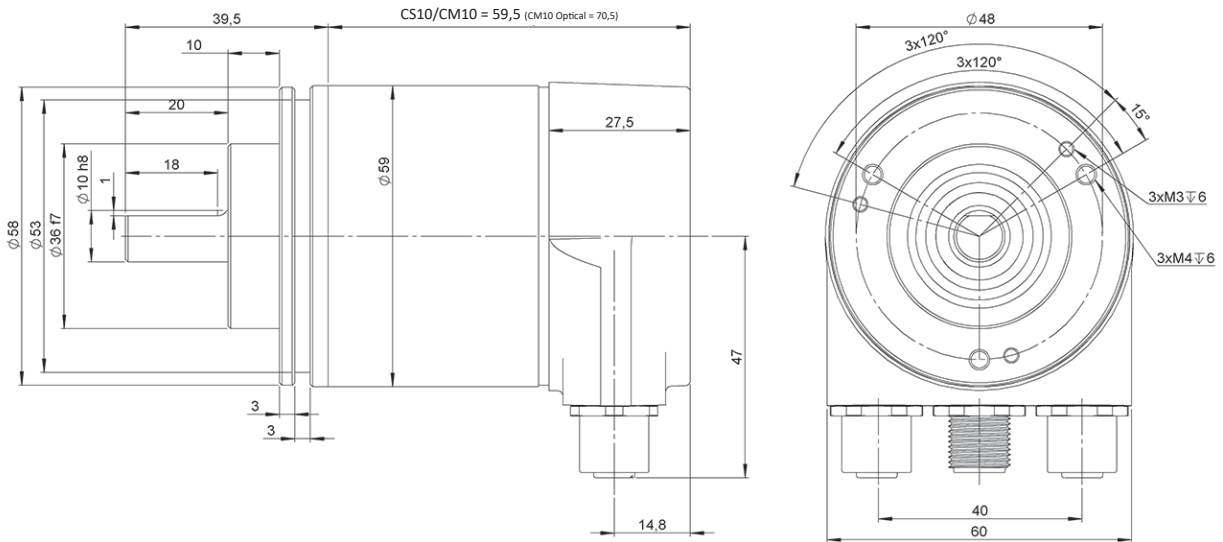
SINGLETURN AND MULTITURN
ABSOLUTE SOLID SHAFT ENCODER



- Profinet
- Singleturn resolution up to 16 bits
- Multiturn resolution up to 30 bits
- External diameter 58 mm
- Shaft \varnothing 6, 10 or 12 mm
- Protection class IP67 according to DIN EN 60529
- Connection by industrial connector 3 x M12



Magnetic Encoder	Optical Encoder	Absolute Encoder	High shaft load capacity	Vibration and shock resistant	IP 67	Temperature range



Drawing shaft type 2, Connection 2 (Radial), Clamping

REFERENCE

Reference example: CM10-PFN-12112-1312

Serie	Interface	Flange	Solid shaft	IP	Technology	Connection	Singleturn resolution	Multiturn resolution	Special customer
CS10/CM10 -	PFN -	<input type="checkbox"/>	<input type="checkbox"/>	<input type="checkbox"/>	<input type="checkbox"/>	<input type="checkbox"/>	- <input type="checkbox"/> <input type="checkbox"/>	<input type="checkbox"/> <input type="checkbox"/>	. <input type="checkbox"/> <input type="checkbox"/>
CS10. Singleturn		1. Clamping	1. \varnothing 6x10 mm	1. IP65	1. Magnetic	2. Radial 3 x M12	13. 13 bits	12. 12 bits (**)	13. INOX 303
CM10. Multiturn		2. Synchro	2. \varnothing 10x20 mm 8. \varnothing 12x20 mm	2. IP67	2. Optical	3. Axial 3 x M12 (*)	16. 16 bits	14. 14 bits	

(*) Only available for magnetic technology.

(**) Only available for singleturn resolution 13 bits.

Order your reference
Step file 3D

info@encoderhohner.com

service available in 24 h



SERIE CS10/CM10

SINGLETURN AND MULTITURN ABSOLUTE SOLID SHAFT ENCODER



MECHANICAL SPECIFICATIONS

Materials	Housing: Steel Flange: Aluminium Shaft: Stainless Steel
Bearings	Ballraces
Bearings lifetime	55x10 ⁸ rev. (Clamping) [40 N / 110 N] 150x10 ⁸ rev. (Clamping) [40 N / 60 N] 85x10 ⁸ rev. (Synchro) [40 N / 110 N] 195x10 ⁸ rev. (Synchro) [40 N / 60 N]
Shaft diameter	6, 10 or 12 mm
Maximum number of revolutions permitted mechanically	≤ 12000 rpm
Protection according to DIN EN 60529	IP65, IP67
Rotor inertia moment	≤ 30 gcm ²
Starting torque at 20°C (68°F)	≤ 0,03 Nm
Maximum load permitted on axial shaft	40 N
Maximum load permitted on radial shaft	110 N
Weight aprox.	350 g (connection type 2) 415 g (connection type 3)
Operating temperature range	-40°C to +85°C (connection type 2) -40°C to +70°C (connection type 3)
Storage temperature range	-40°C to +85°C
Humidity	98% RH, not condensed
Vibration according to DIN EN 60068-2-6	100 m/s ² (10Hz...1000Hz)
Shock according to DIN EN 60068-2-27	1000 m/s ² (6ms)
Connection	3 x M12 Connector Mating connectors not included

INTERFACE



Profile	Profidrive Profile 4.x Encoder Profile 4.x
Diagnostics	Memory
Programming functions	Resolution, time base and filter for velocity, preset, counting direction, IP-Address
Features	Boot-Loader, Round Axis, Flashing LEDs
Transmission rate	10 / 100 Mbit
Interface cycle time	≥ 1 ms

ELECTRICAL SPECIFICATIONS

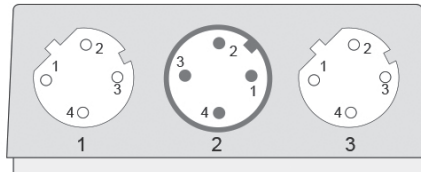
Output Driver	Ethernet
Power supply	10...30 VDC
Consumption	≤ 230 mA (10 VDC) ≤ 100 mA (24 VDC)
Power Consumption	≤ 2.5 W
Start time	< 250 ms
Singleturn resolution	13 bits - 16 bits
Multiturn resolution	12 bits - 14 bits
Accuracy (INL)	±0.0878° (Magnetic) ±0.0439° (Optical)
Code	Binary
Short circuit protection	Yes
Protection polarity inversion	Yes
EMC: Emitted interference	DIN EN 61000-6-4
EMC: Noise immunity	DIN EN 61000-6-2
MTTF	65 years

SERIE CS10/CM10

SINGLETURN AND MULTITURN ABSOLUTE SOLID SHAFT ENCODER



CONNECTION



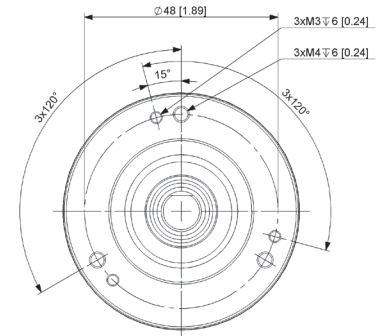
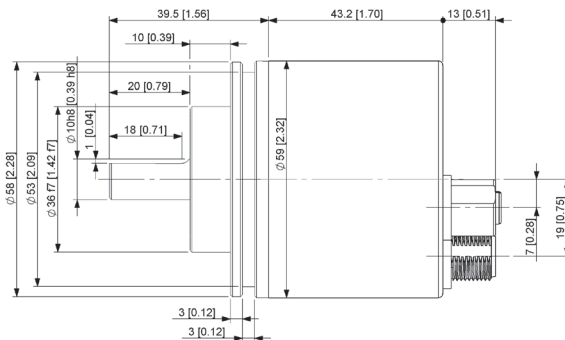
	M12 4p Female d coded	M12 4p Male a coded	M12 4p Female d coded
VCC	-	1	-
GND	-	3	-
Tx+	1	-	1
Rx+	2	-	2
Tx-	3	-	3
Rx-	4	-	4
Not connected	-	2, 4	-

CONNECTION DIMENSIONS

Mating connectors not included

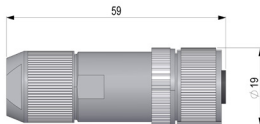
Connection 3

Axial
3 x M12



ACCESSORIES

95.000706
M12 4p
Female



95.000707
M12 4p
Male

